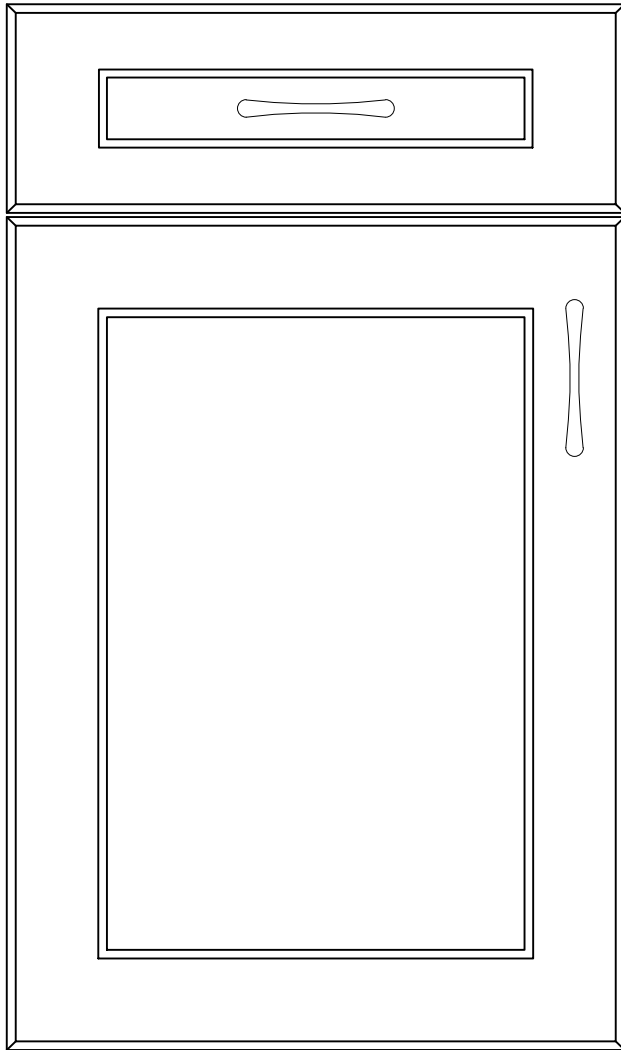


# Glasgow



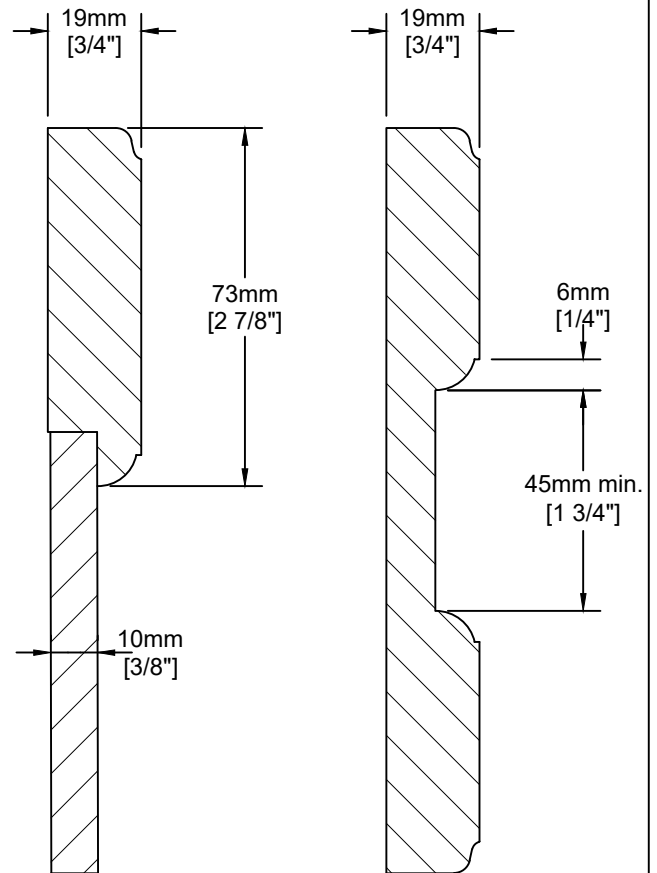
## Notes:

MDF 2 piece construction. Flat insert panel door with wide rail design.

Fronts less than 191mm (7 1/2") may have reduced rails and may have a pocketed flat center panel.

Fronts less than 140mm (5 1/2") will be slabs.

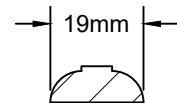
See Stirling door for raised panel version.



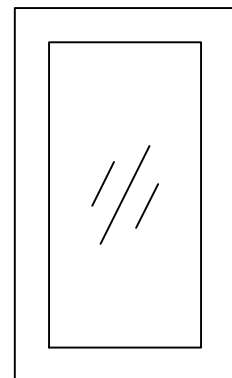
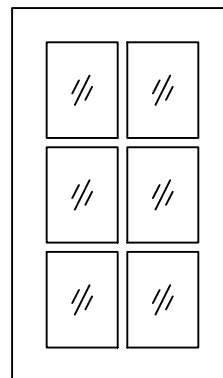
Door Detail

Drawer Detail

## Mullion Detail:



## Glass Frame Options:



Like this door? Order online at [www.distinctivewoodproducts.com](http://www.distinctivewoodproducts.com)!



**DISTINCTIVE**  
WOOD PRODUCTS